

Technical Specification

LB-ACH-34-10-C-KF



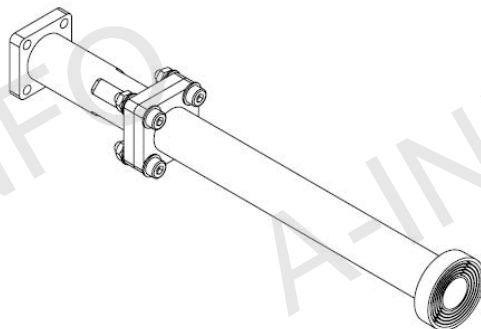
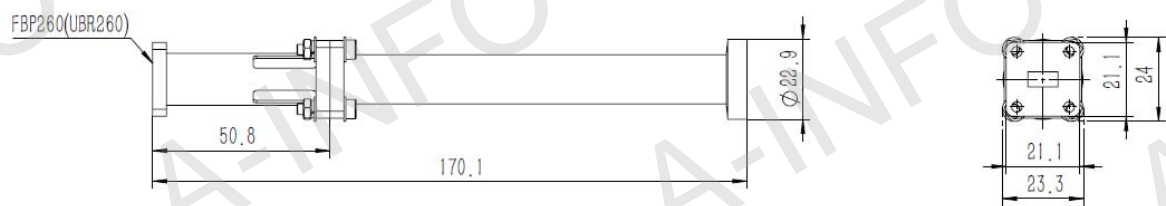
LB-ACH-34-10-C-KF-A1



Frequency Range(GHz)	22.0 – 33.0
Waveguide	WR34
Gain(dBi)	10 Typ.
Polarization	Linear
3dB Beamwidth(deg)	E Plane: 55 Typ.
	H Plane: 57 Typ.
10dB Beamwidth(deg)	E Plane: 100 Typ.
	H Plane: 105 Typ.
Cross Pol. Isolation(dB)	-45 Typ.
VSWR	A Type: 1.4:1 Typ.
	C Type: 1.8:1 Typ.
Output	A Type: FBP260(UBR260)
	C Type: 2.92mm(K)-Female
Material	Al
Size(mm)	A Type: 23.3 x 24.0 x 170.1
	C Type: 23.3 x 28.6 x 195.1
	A-A1: 266.4 x 266.4 x 170.1
	C-KF-A1: 266.4 x 266.4 x 195.1
Net Weight(Kg)	A Type: 0.10 Around
	C Type: 0.13 Around
	A-A1: 1.21 Around
	C-KF-A1: 1.24 Around

Outline Drawing (Size: mm)

A Type (With FBP260 Output)



AINFO Inc.

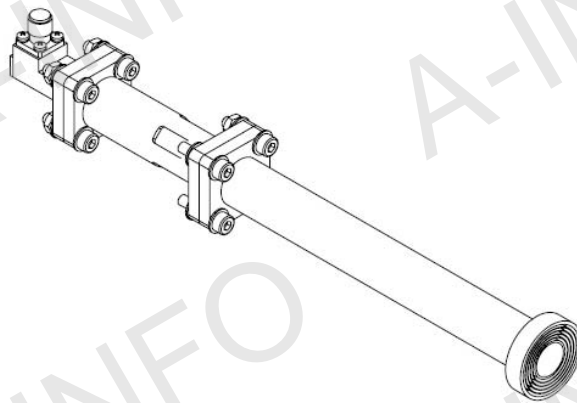
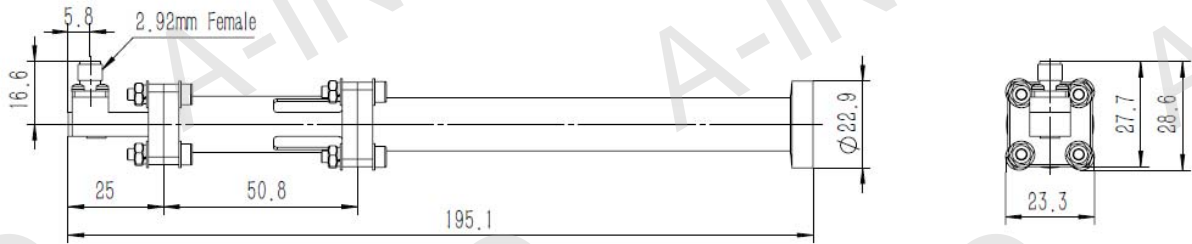
China(Beijing): Tel: (+86) 10-6266-7326,
China(Chengdu): Tel: (+86) 28-8519-2786,
USA: Tel: (+1) 949-639-9688,

Page 1 of 12

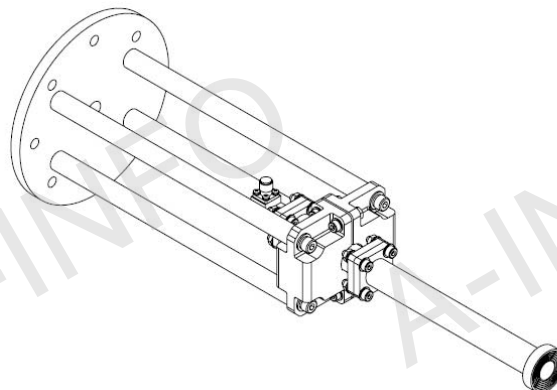
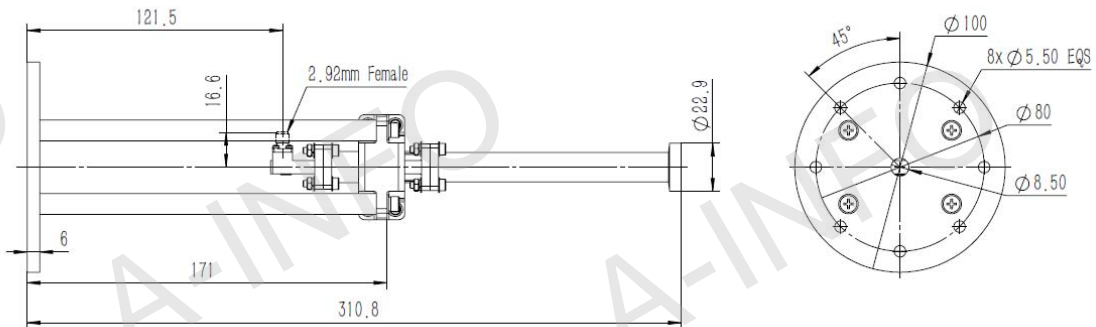
(+86) 10-6266-7327 Fax: (+86) 10-6266-7379
(+86) 28-8519-3044 Fax: (+86) 28-8519-3068
(+1) 949-639-9608 Fax: (+1) 949-639-9670

Website: www.ainfoinc.com
Email: sales@ainfoinc.com

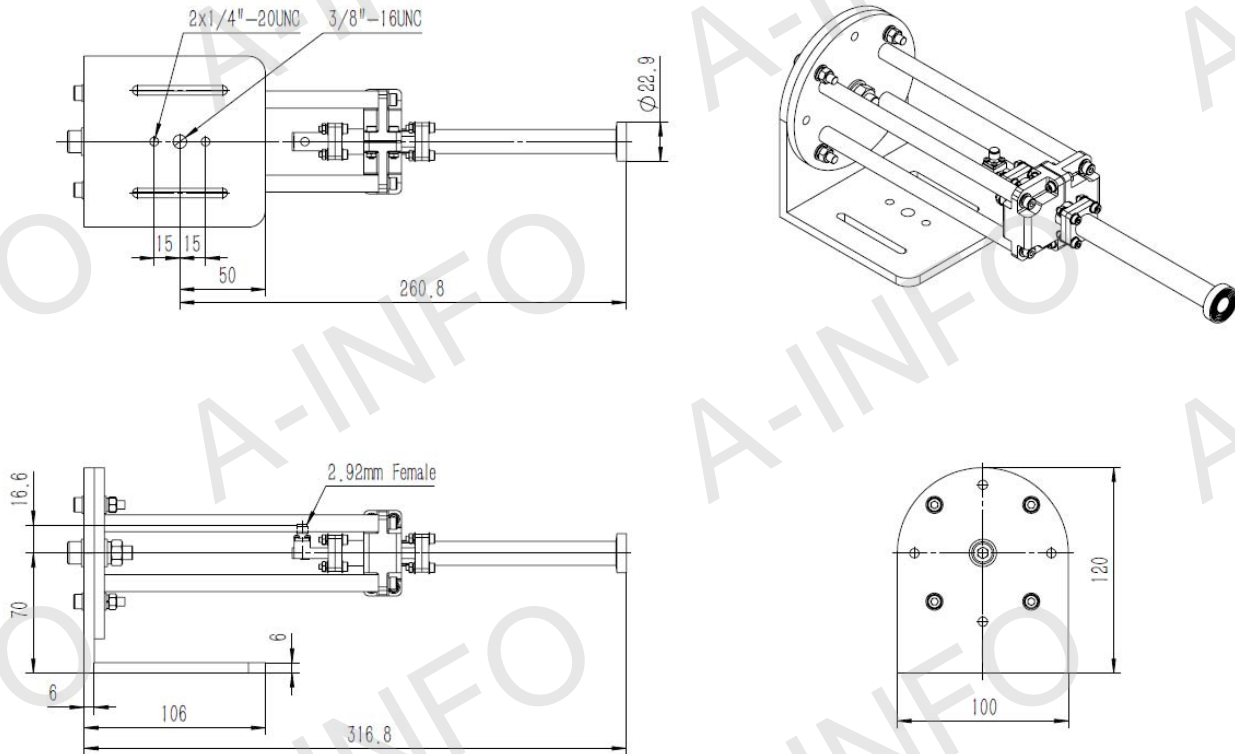
C Type (With 2.92mm-Female Output)



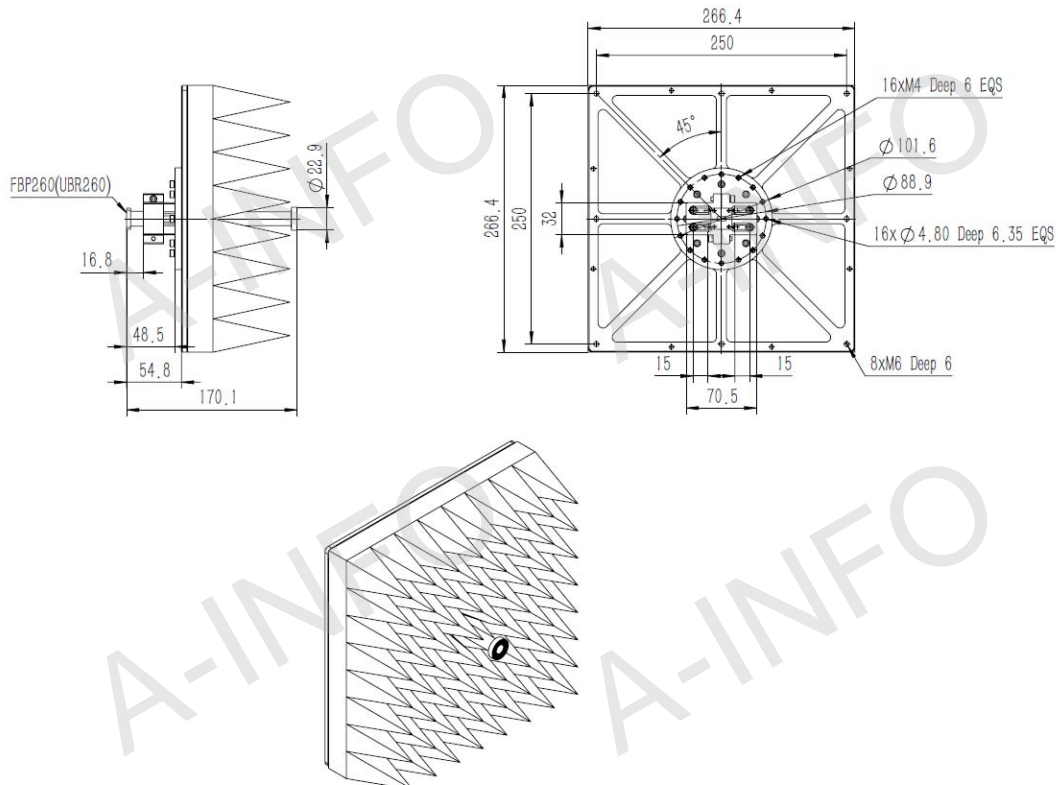
C Type (With 2.92mm-Female Output & Round Mounting Bracket)



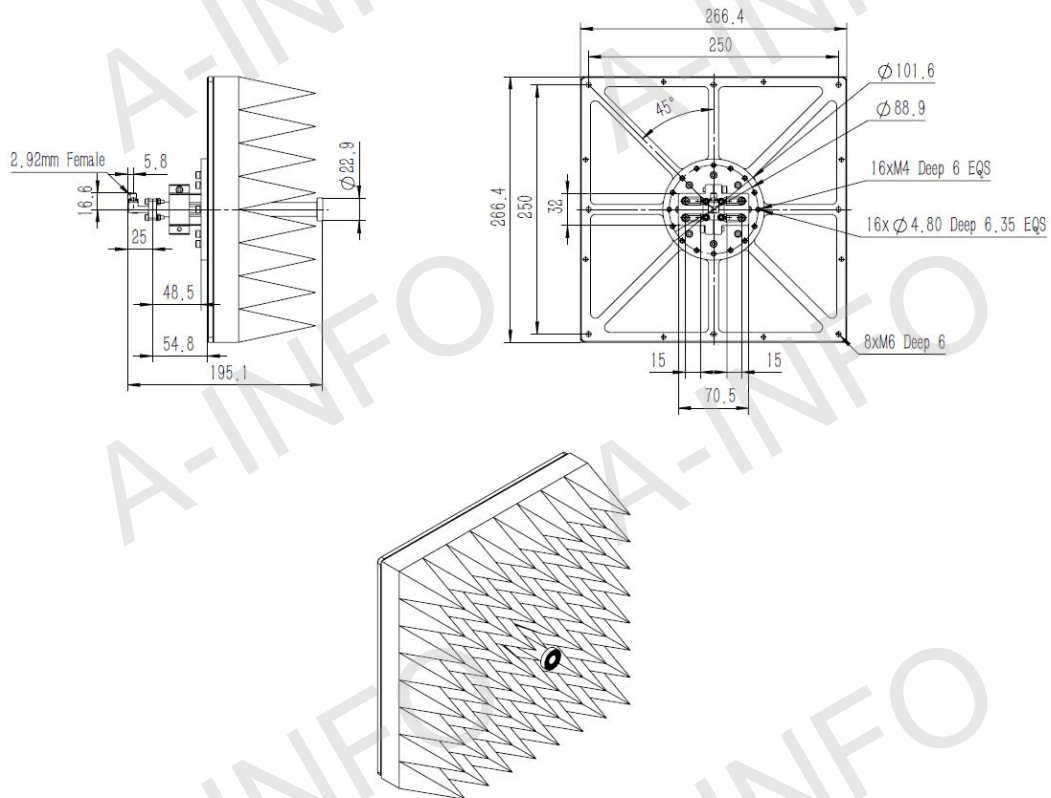
C Type (With 2.92mm-Female Output & L Type Mounting Bracket)



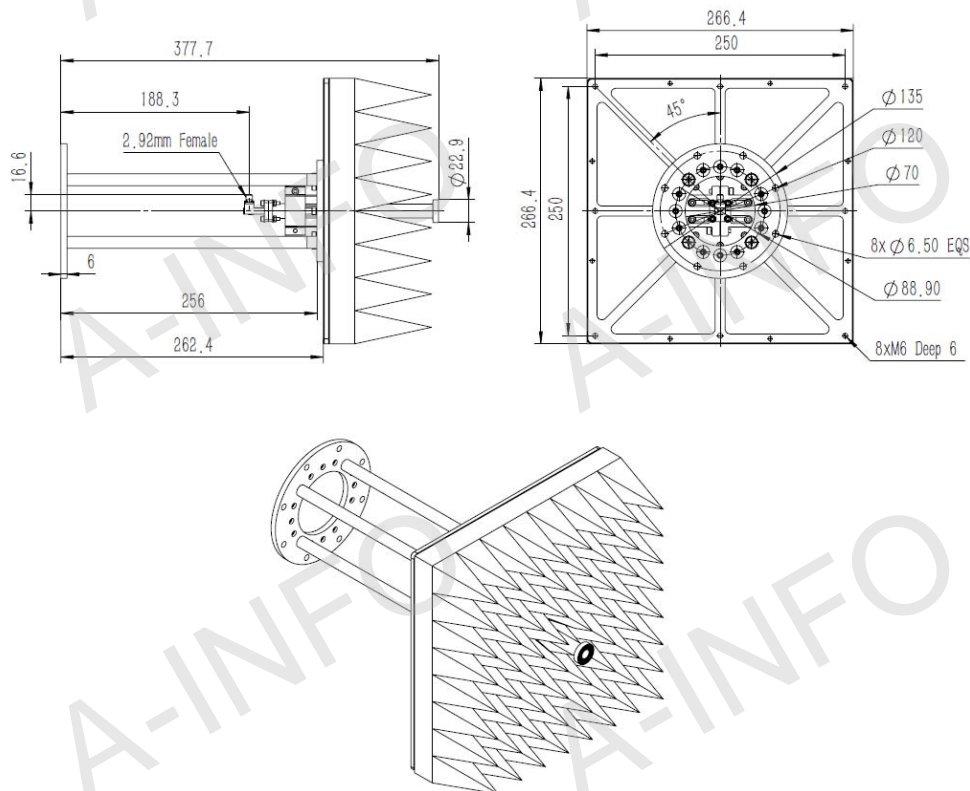
A-A1 Type (With FBP260 Output, Equipped with Absorber)



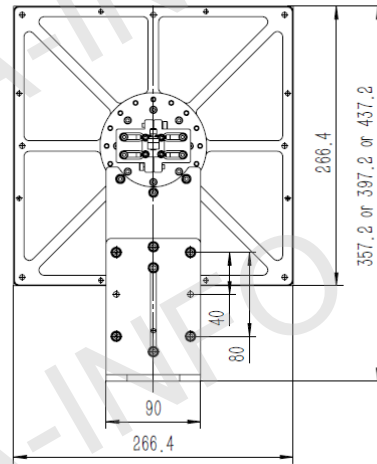
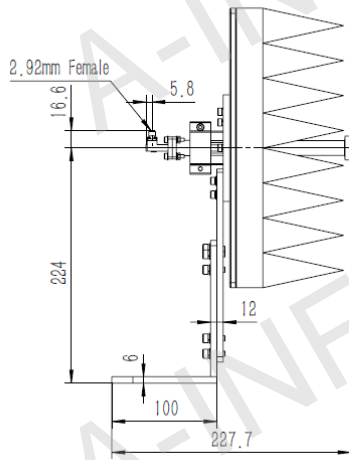
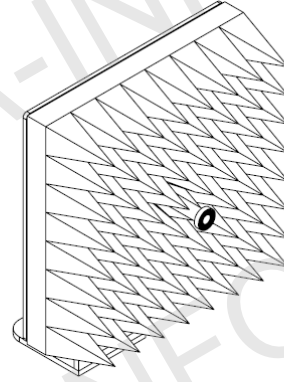
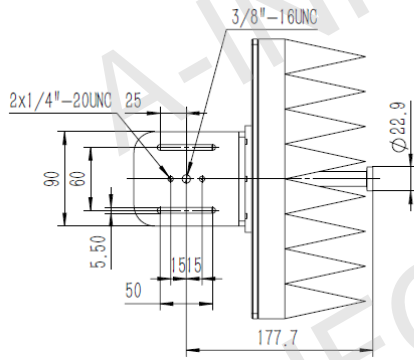
C-KF-A1 Type (With 2.92mm-Female Output, Equipped with Absorber)



C-KF-A1 Type (With 2.92mm-Female Output&Round Mounting Bracket, Equipped with Absorber)

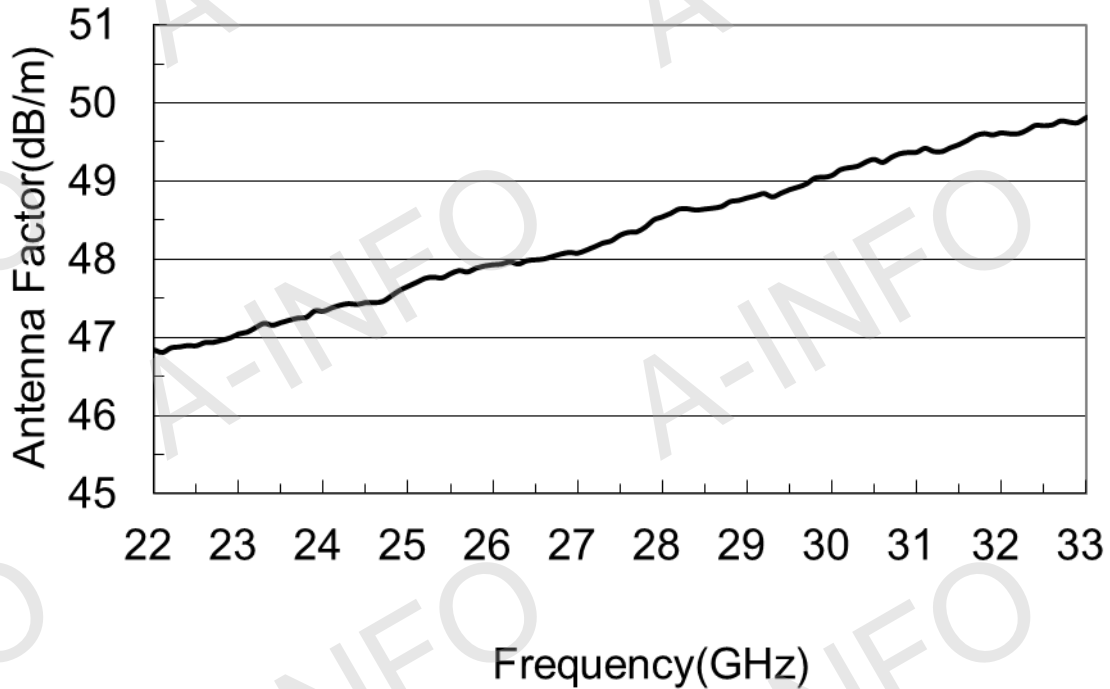
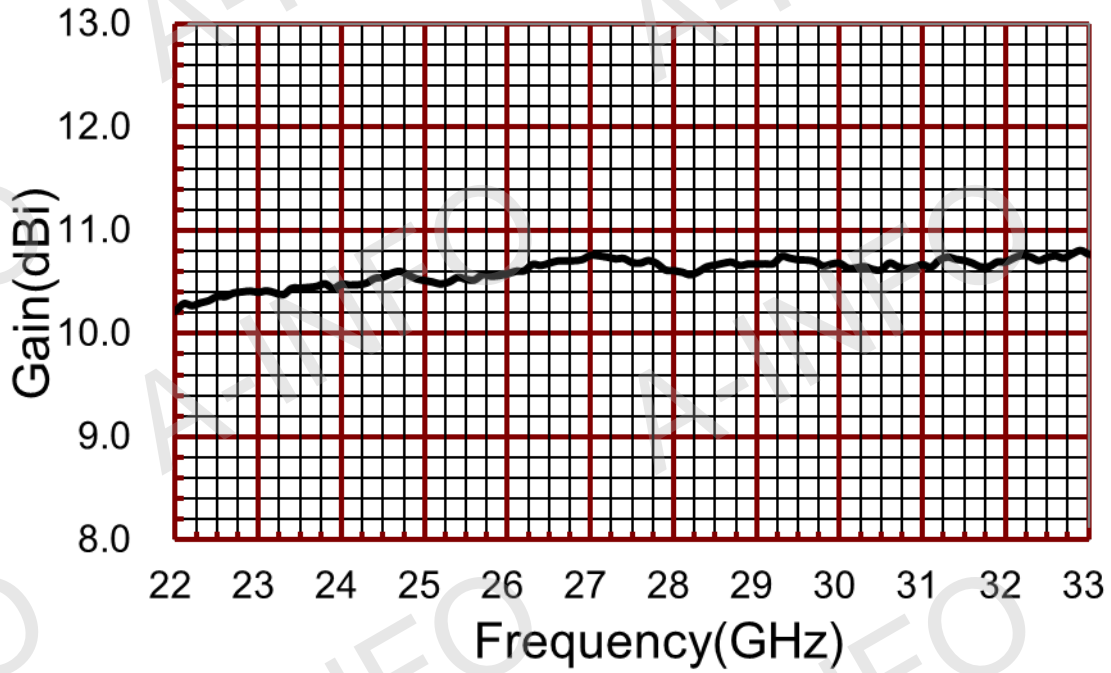


C-KF-A1 Type (With 2.92mm-Female Output&L Type Mounting Bracket, Equipped with Absorber)

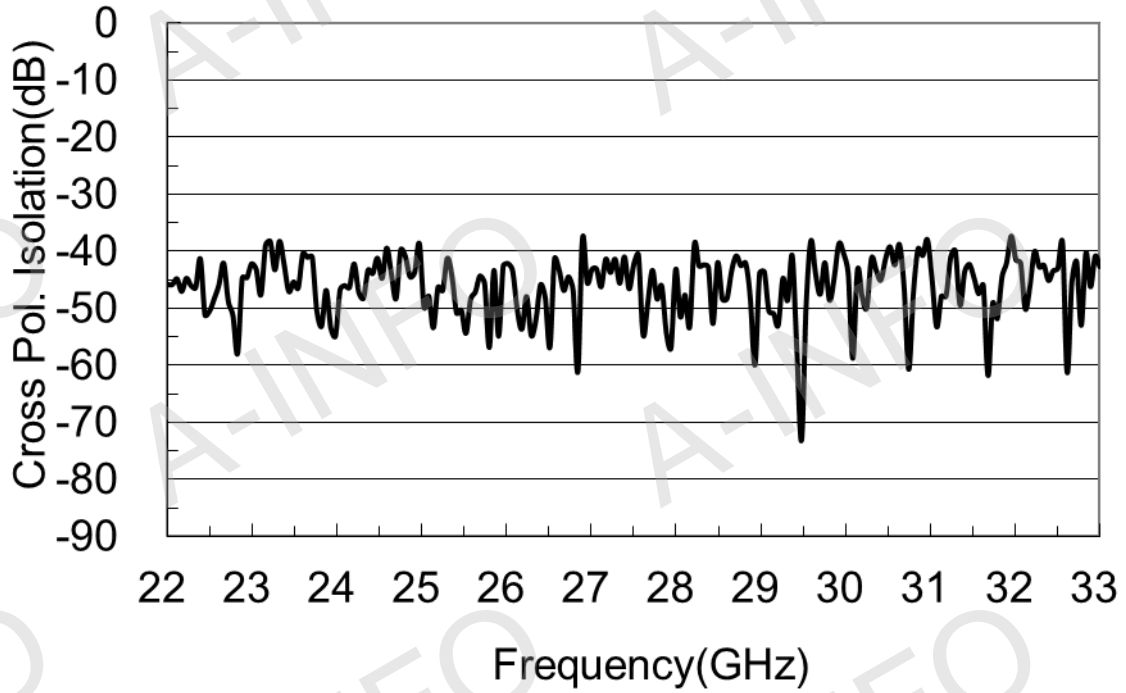


Test Results

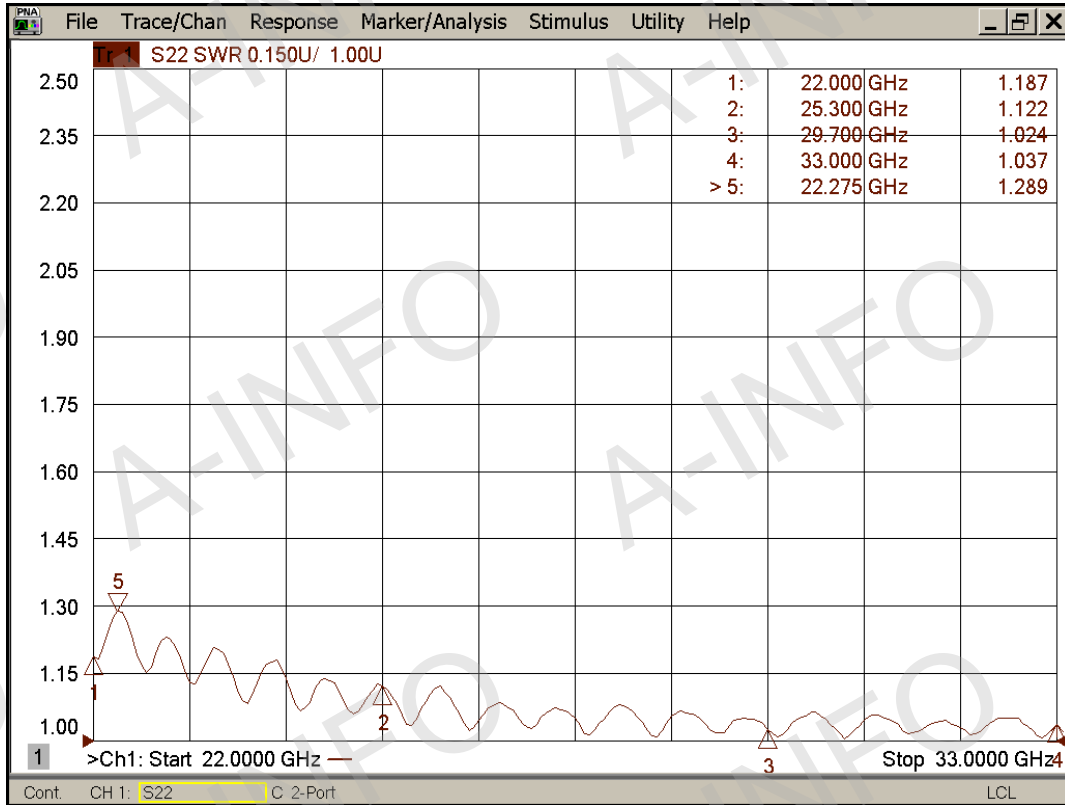
1. Gain & Antenna Factor



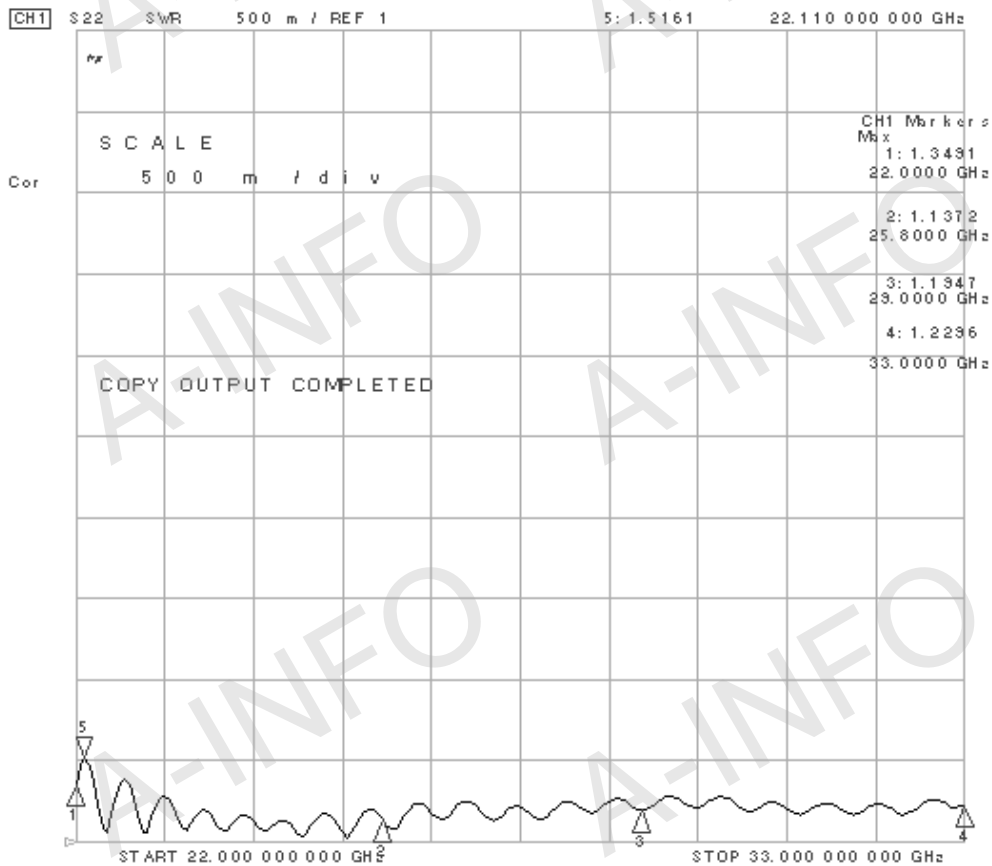
2. Cross Polarization Isolation



3. VSWR_A Type



VSWR_C Type



4. Pattern

