

# MHF<sup>®</sup> I Plug MHF<sup>®</sup> I Plug Cable Assembly

Mating Profile : **2.5mm MAX.**

Applicable for various cable gauge

## 【Part Number】

Contact point : **Au Plating**

**20670-001 R- \* \***

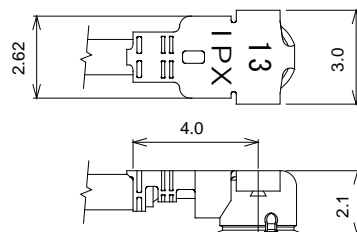
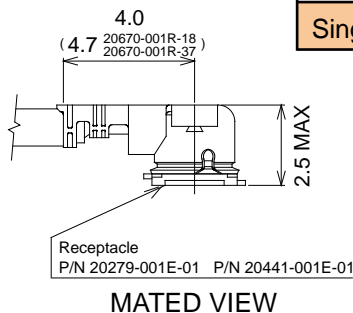
① ②



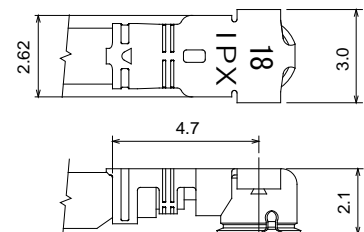
①	Packing	<b>R</b>	Reel 1reel : 2,000pcs
②	Applicable Cable Size	-	<b>08</b> : 0.81, <b>13</b> : 1.13, <b>32</b> : 1.32, <b>37</b> : 1.37, <b>18</b> : 1.80

## 【Applicable Cable gauge】

Part No.	20670-001R-08	20670-001R-13	20670-001R-32
	for AWG#36	for AWG#32	for AWG#32
<p>Applicable Cable Nominal Dimension</p>			
Braided Shield of Outer Conductor	Single Braided Shield	Single Braided Shield	Double Braided Shield
	20670-001R-37	20670-001R-18	
	for AWG#30	for AWG#30	
	Single Braided Shield	Single Braided Shield	



20670-001R-08  
20670-001R-13  
20670-001R-32



20670-001R-18  
20670-001R-37

## 【Material and Finish】

Parts	Material	Plating / Color	Note
HOUSING	PBT UL94V-0	BLACK	
CONTACT	COPPER ALLOY	Au	
GROUND CONTACT	COPPER ALLOY	Au , Ni	contact point : Au plating

# MHF<sup>®</sup> I & II Receptacle

## 3pad type

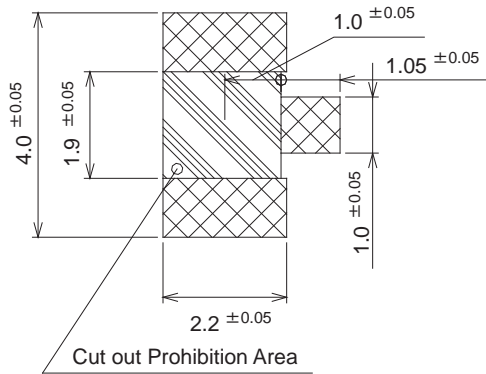
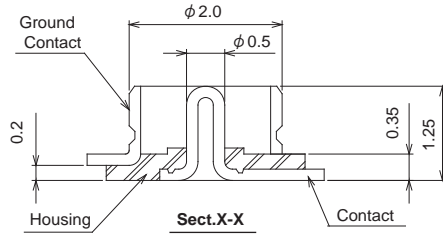
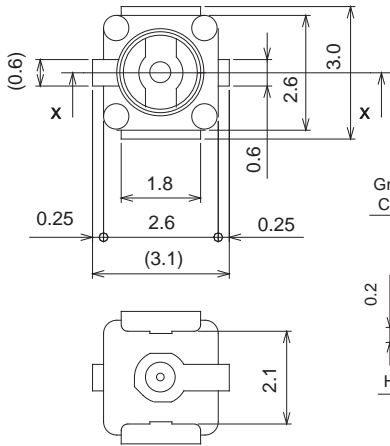
### [Part Number]

Ground Contact : Au Plating

**20279-001 E- \* \***

① ②

①	Packing : Emboss Tape		
②	1reel	01	2,500pcs
		03	5,000pcs
		05	10,000pcs



RECOMMENDED FOOTPRINT PATTERN

## 4pad type

### [Part Number]

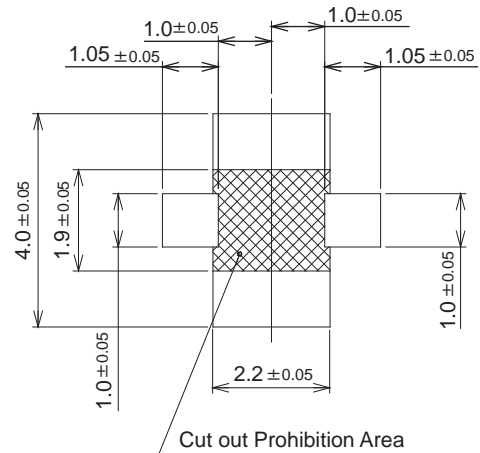
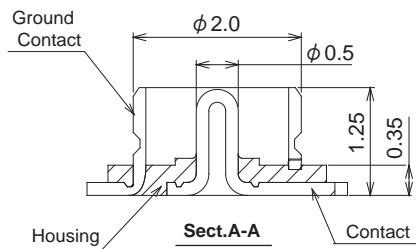
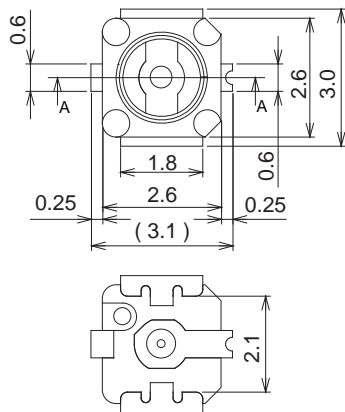
Ground Contact : Au Plating

**20441-001 E- 01**

※

※ Packing : Emboss Tape

1reel : 5,000pcs



RECOMMENDED FOOTPRINT PATTERN

### [Material and Finish]

Parts	Material	Plating / Color (3pad)	Plating / Color (4pad)
HOUSING	LCP UL94V-0	NATURAL	BLACK
CONTACT	COPPER ALLOY	Au	Au
GROUND CONTACT	COPPER ALLOY	Au	Au