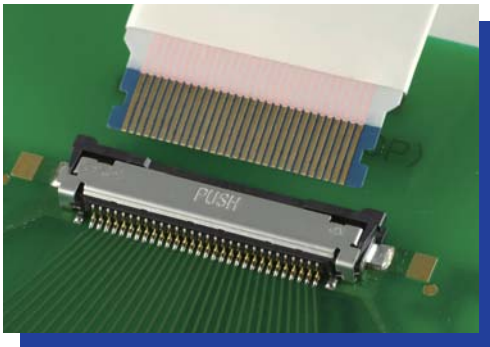


EVAFLEX[®] 5-VS type CH

0.5mm Pitch
Horizontal Type
Non-ZIF Type



Operating Temperature : - 40°C to 105°C series
EVAFLEX[®] 5-VS is designed foot print compatibility with CABLINE[®]-VS which is VESA standard (Notebook PC FPD,LED Backlight) connector, such alternative concept is possible to support both shielded FFC/FPC and coaxial cable without PCB design change.*1

Moreover, EVAFLEX[®]5-VS supports more than 5Gbps high speed signal of internal connection by optimized design of the contact and GND's shape and arrangement.

【Features】

■ High speed transmission

Supports several kind of specifications
(eDP[™] / HDMI[®] / USB / S-ATA / PCIe[®])

■ Shield characteristics

Excellent EMI / EMC performance due to metal shell and GND

■ Easy, reliable, high productivity

High productivity is provided by an easy and reliable mating operation by Non-ZIF and auto lock structures

■ Audible click and tactile feel

Insures proper mating and positive locking of FFC/FPC*2

■ Higher reliable connection

Highly reliable contact by I-PEX's unique W-point contact structure

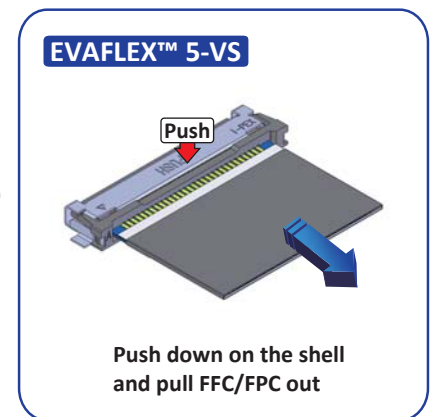
■ High retention force lock structure

Prevents the FFC/FPC from losing connection during high shock and vibration situations

■ GND Cable

Contact : Bottom / Signal contact : Top

【FFC/FPC Un-locking method】



【Number of Positions】

10p, 15p, 20p, 24p, 30p, 40p

【Applicable cable】

Impedance matching Shield FFC / FPC*3
Non-Shielded FFC / FPC*3

【Ordering Code】

20720-0 ****** **E-02**
① ②

①	POS.	10: 10pos	15: 15pos	20: 20pos	24: 24pos	30: 30pos	40: 40pos
②	Packaging	E	Emboss Tape				

*1 : May require some changes due to environmental condition. Please contact us in advance.

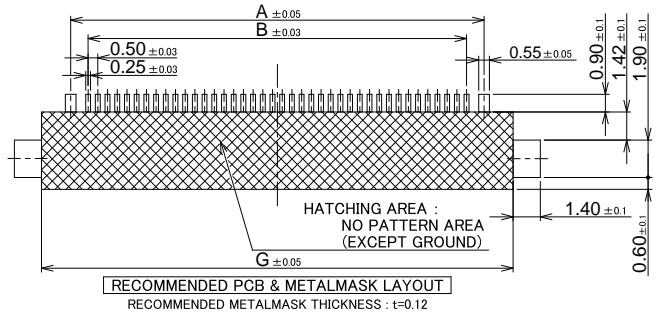
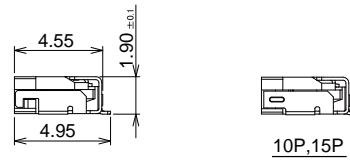
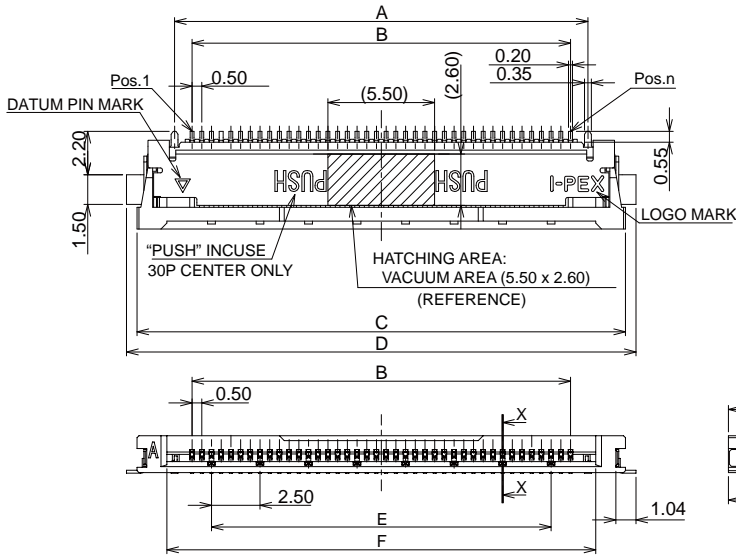
*2 : By a combination of FFC/FPC, audible click and tactile feel change may occur.

*3 : Please contact us for the FFC/FPC drawing and specification.

POS.	A	B	C	D	E	F	G
10p	6.30	4.50	10.17	11.25	2.50	7.10	9.30
15p	8.80	7.00	12.67	13.75	5.00	9.60	11.80
20p	11.30	9.50	15.17	16.25	7.50	12.10	14.30
24p	13.30	11.50	17.17	18.25	7.50	14.10	16.30
30p	16.30	14.50	20.17	21.25	12.50	17.10	19.30
40p	21.30	19.50	25.17	26.25	17.50	22.10	24.30

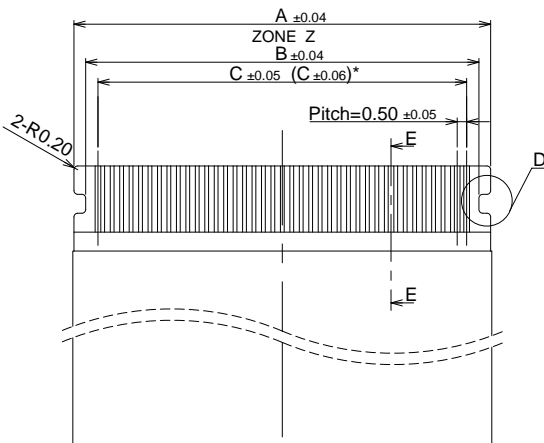
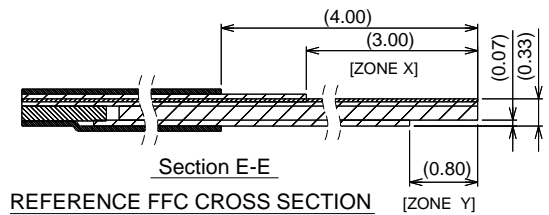
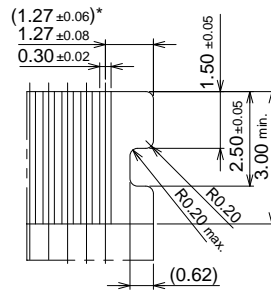
[Material / Finish]

Parts	Material	Plating / Color
HOUSING	HEAT RESISTING PLASTICS UL94V-0	BLACK
CONTACT	COPPER ALLOY	Au
SHELL	COPPER ALLOY	Sn



RECOMMENDED FFC DIMENSION

POS.	A	B	C
10p	7.04	5.80	4.50
15p	9.54	8.30	7.00
20p	12.04	10.80	9.50
24p	14.04	12.80	11.50
30P	17.04	15.80	14.50
40P	22.04	20.80	19.50



DETAIL D

