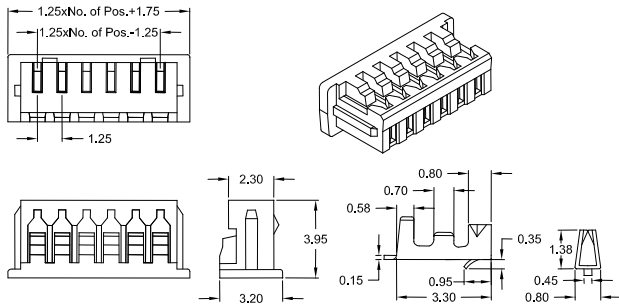


## Shrouded Type

### S - Type

female plug

(AWG 28 to 32)

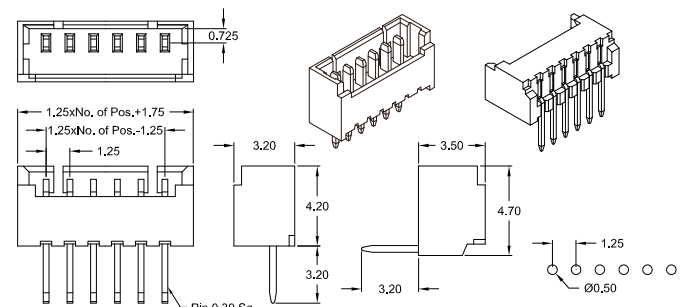


Order Code housing: CRF-1xx-S125

contact: CRF-999-S125-99

### S - Type

-THT- male



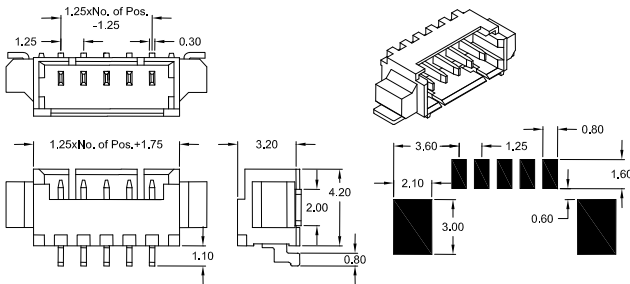
Order Code straight: CRS-1xx-S125-99

right angle: CRR-1xx-S125-99

## Shrouded Type

### SS - Type

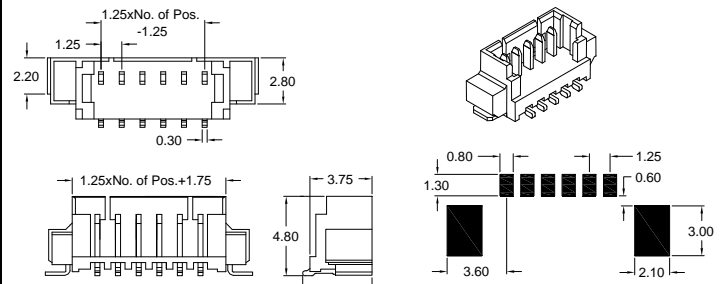
-SMT- male (side entry)



Order Code: CRR-1xx-SS125-99/R

### SS - Type

-SMT- male (top entry)



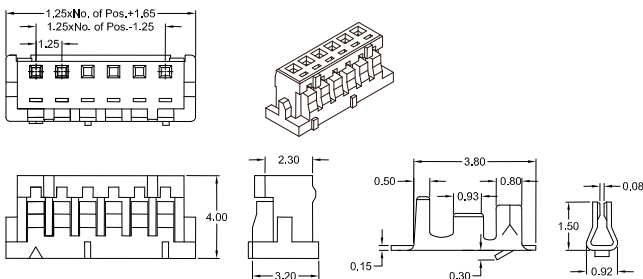
Order Code: CRS-1xx-SS125-99/R

## Shrouded Type

### G - Type

female plug

(AWG 28 to 32)

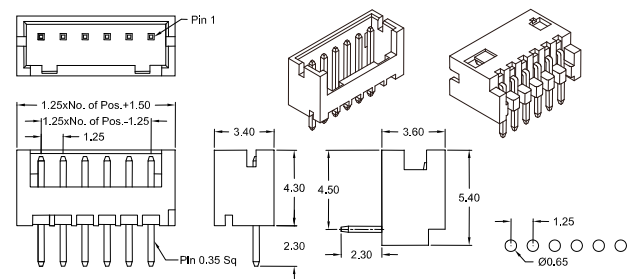


Order Code housing: CRF-1xx-G125

contact: CRF-999-G125-99

### G - Type

-THT- male



Order Code straight: CRS-1xx-G125-99

right angle: CRR-1xx-G125-99

## SPECIFICATIONS

Current rating	1 A	Contact resistance	20 mΩ max.	Contact material	Copper alloy
Insulator resistance	500 MΩ min.	Withstanding voltage	500 V AC	Insulator material	Nylon UL 94 V-0
Voltage rating	50 V AC max.	Operating temp.	-25°C to +85°C	PCB Thickness	1.60 mm (.063")

## How to order

CR X - x xx - X 125 - 99 / X

Type	Rows	Nbr of contacts	Execution	Plating	Option
<b>F</b> = Female <b>R</b> = R/A male <b>S</b> = Straight male	<b>1</b> = single row <b>9</b> = loose contacts	<b>02 - 15</b> = S, SS, G - type <b>99</b> = loose contacts MOQ: 10K / reel	<b>S</b> = S - type <b>SS</b> = SS - type SMT male <b>G</b> = G - type see dwg above	<b>99</b> = tin (leadfree)  Other platings on request	<b>R</b> = Reel