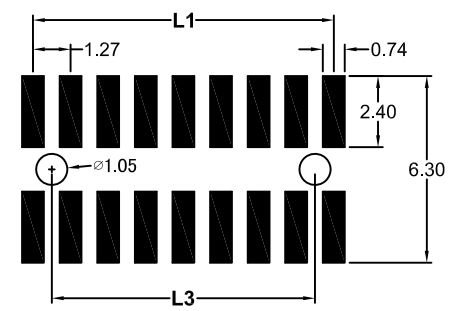
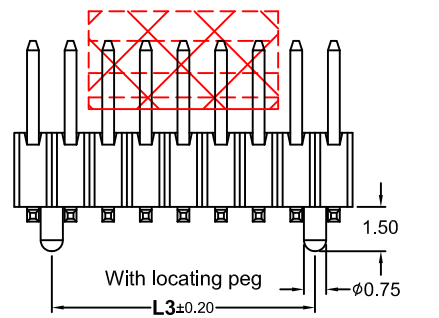
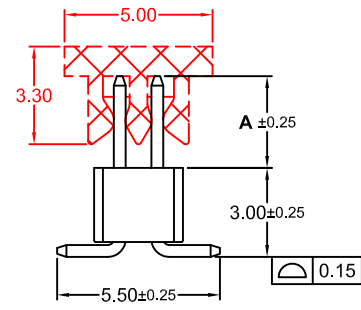
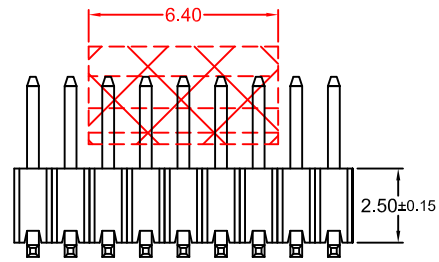
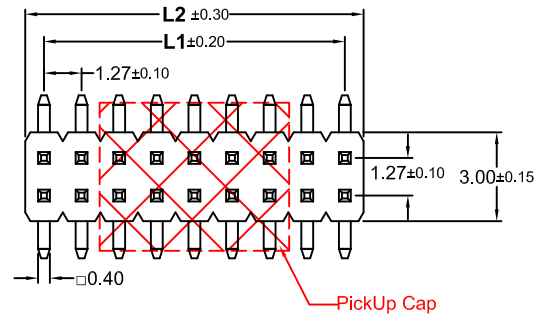


No. of Pins	Dimension(mm)		
	L1	L2	L3
004	1.27	2.54	-
006	2.54	3.81	1.27
008	3.81	5.08	2.54
010	5.08	6.35	3.81
012	6.35	7.62	5.08
014	7.62	8.89	6.35
016	8.89	10.16	7.62
018	10.16	11.43	8.89
020	11.43	12.70	10.16
022	12.70	13.97	11.43
024	13.97	15.24	12.70
026	15.24	16.51	13.97
028	16.51	17.78	15.24
030	17.78	19.05	16.51
032	19.05	20.32	17.78
034	20.32	21.59	19.05
036	21.59	22.86	20.32
038	22.86	24.13	21.59
040	24.13	25.40	22.86
042	25.40	26.67	24.13
044	26.67	27.94	25.40
046	27.94	29.21	26.67
048	29.21	30.48	27.94
050	30.48	31.75	29.21
052	31.75	33.02	30.48
054	33.02	34.29	31.75
056	34.29	35.56	33.02
058	35.56	36.83	34.29
060	36.83	38.10	35.56
062	38.10	39.37	36.83
064	39.37	40.64	38.10
066	40.64	41.91	39.37
068	41.91	43.18	40.64
070	43.18	44.45	41.91
072	44.45	45.72	43.18
074	45.72	46.99	44.45
076	46.99	48.26	45.72
078	48.26	49.53	46.99
080	49.53	50.80	48.26
082	50.80	52.07	49.53
084	52.07	53.34	50.80
086	53.34	54.61	52.07
088	54.61	55.88	53.34
090	55.88	57.15	54.61
092	57.15	58.42	55.88
094	58.42	59.69	57.15
096	59.69	60.96	58.42
098	60.96	62.23	59.69
100	62.23	63.50	60.96



Recommended PCB Hole Layout
(PCB TOLERANCE ±0.05)

REV.	DESCRIPTION	DATE	DRAWN
A	New	25.07.2014	Ryan
C	Add pin code "95W/3"	23.09.2016	Ryan
D	correct plating	10.11.2016	Cherry

Order Code
SS2-xxx-H xxW/x - xx/11X

No. of Pins
004 to 100

Options
 without "locating pegs"
A = tube; with PickUp Cap
B = reel; with PickUp Cap
 with "locating pegs"
C = tube; without PickUp Cap
D = tube; with PickUp Cap
E = reel; with PickUp Cap

DIM "A" (mm)	Pin code
1.90	95W/0
3.10	95W/1
4.00	95W/2
3.80	95W/3

Plating
55 = Gold flash (Standard)
56 = Gold 10µ" Gold
57 = Gold 15µ" Gold
58 = Gold 30µ" Gold
99 = Tin
 Duplex plating
95 = Tin/Gold flash
96 = Tin/10µ" Gold
97 = Tin/15µ" Gold
98 = Tin/30µ" Gold



Material
 Contact: Brass
 Plating: Gold, Tin or Duplex
 *Duplex = Tin on solder area, Gold plated on contact area
 Insulator: Nylon 9T (black) UL 94V-0
 Operating temperature: -40°C to +105°C

Specifications Electrical

Current rating: 1A
 Insulation resistance: 1000MΩ min.
 Contact resistance: 20mΩ max.
 Withstanding voltage: 500V AC / Minute



UNIT	mm	GENERAL TOLERANCE		DRAWN	Ryan <th>DATE</th> <td>25.07.2014 <th>DWG. NO.</th> <td>SS2-H95W/x/11 <th>SHEET</th> <td>1/1 </td></td></td>	DATE	25.07.2014 <th>DWG. NO.</th> <td>SS2-H95W/x/11 <th>SHEET</th> <td>1/1 </td></td>	DWG. NO.	SS2-H95W/x/11 <th>SHEET</th> <td>1/1 </td>	SHEET	1/1
SCALE	Free	X.° ±	X. ±	CHECK	Kent <td>DATE</td> <td>10.11.2016</td> <td>SERIES NO.</td> <td>SS2-xxx-H95W/x-xx/11X</td> <td>REV.</td> <td>D</td>	DATE	10.11.2016	SERIES NO.	SS2-xxx-H95W/x-xx/11X	REV.	D
		.X° ±	.X ±	APPROVE	SH <td>DATE</td> <td>10.11.2016</td> <td></td> <td></td> <td></td> <td></td>	DATE	10.11.2016				
		.XX° ±	.XX ± 0.25								
		.XXX° ±	.XXX ±								

127mm Pitch Pin Header
-SMT- Dual row
2.50mm profile