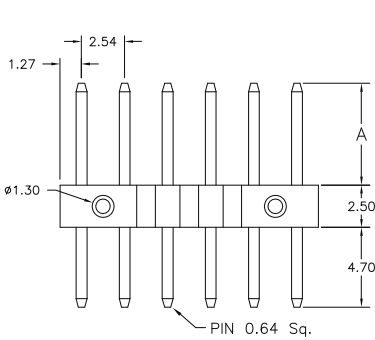
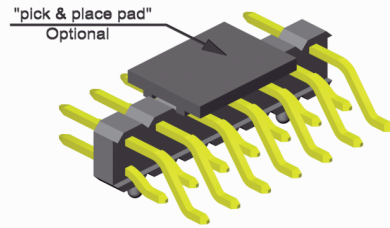
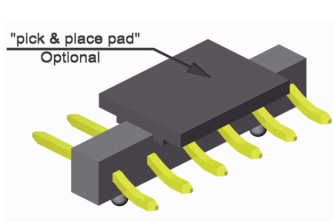
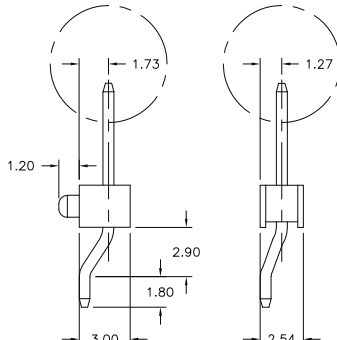


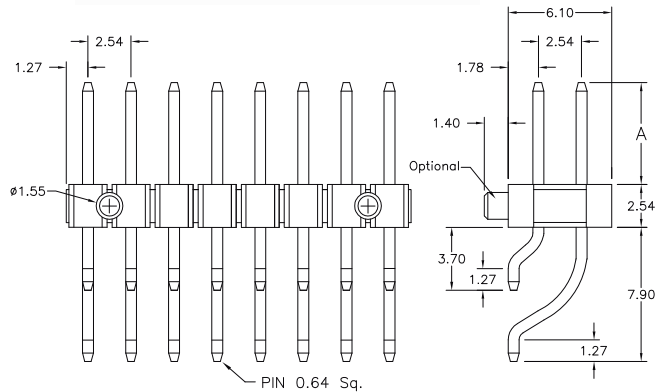
2.54mm pitch Pin Header - slanted -
- SMT - single and dual row



SR1 style

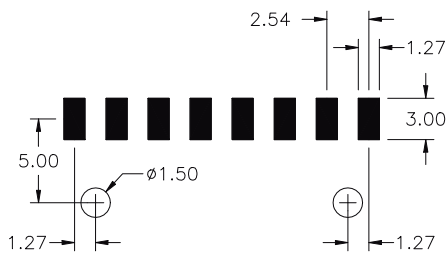


with locating peg
without locating peg

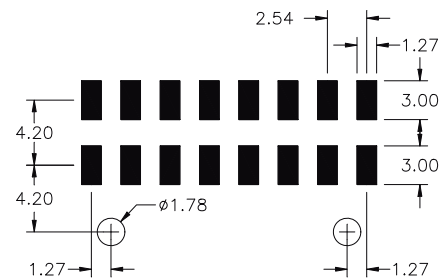


SR2 style

PCB Surface Mount Layout "single row"



PCB Surface Mount Layout "dual row"



SPECIFICATIONS

Current rating	3 A
Insulator resistance	1000 MΩ min.
Withstanding voltage	500 V AC

Operating temperature	- 40°C to +105°C
Processing temperature	+250°C +0/-5°C for 10sec.
Contact material	(RoHS compliant) Copper alloy
Insulator material	(RoHS compliant) SR1 = Nylon UL 94 V-0 SR2 = LCP UL 94 V-0

How to order

SR x - xxx - H xxx/xx - xx X

Rows	Nbr of pins	Pin code	DIM "A"	Plating	Packing and "pick & place pad" Option (standard: Tube packing and w/o pick & place pad)
1 single row	<i>without locating pegs</i> 002 to 040	135/00	3.00 mm	55 = gold 95 = tin/gold (tin leadfree) Other platings on request	without "locating pegs" A = tube packing; with pick & place pad B = reel packing; with pick & place pad
		135/01	3.60 mm		
		135/02	6.00 mm		
		135/03	6.80 mm		
		135/04	7.20 mm		
	<i>with locating pegs</i> 003 to 030	135/05	7.40 mm		with "locating pegs" C = tube packing; without pick & place pad D = tube packing; with pick & place pad E = reel packing; with pick & place pad
		135/06	10.70 mm		
		135/07	10.40 mm		
		135/08	5.85 mm		
		135/09	8.15 mm		
2 dual row	006 to 080	135/10	10.00 mm		
		Other dimensions on request			